



VISO LIGHTING

FORT KNOX

INSTALLATION MANUAL

E26 / E27 (120V/220V)

SM – Incandescent 60w max
PLE-T Eco 26w max

MM – Incandescent 75w max
PLE-T Eco 42w max

GM – Incandescent 75w max
PLE-T Eco 42w max

G-4 Bi-Pin (12V-120V/220V)
BM – 20w



IMPORTANT

Always shut off power before cleaning and maintenance.



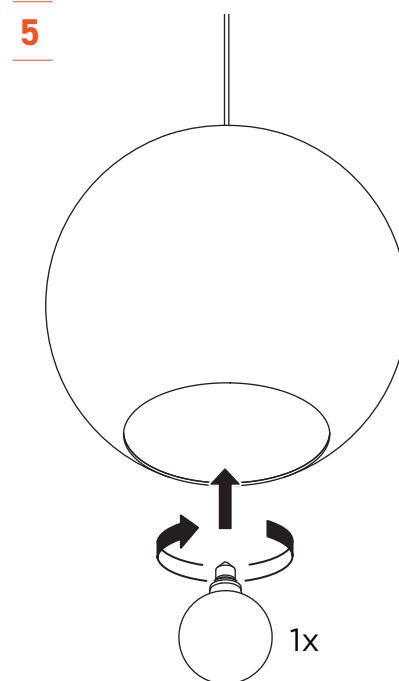
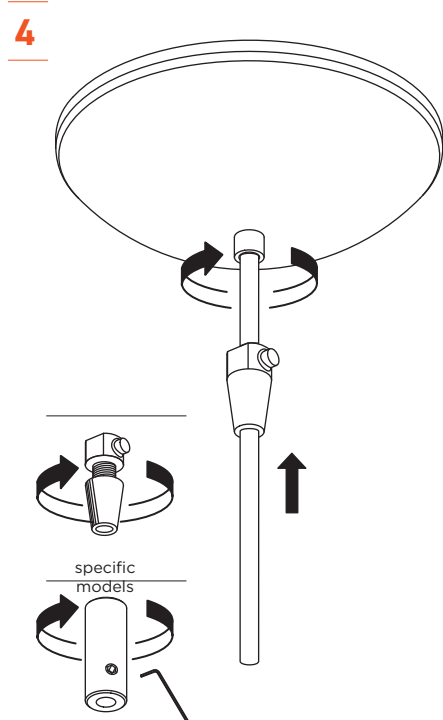
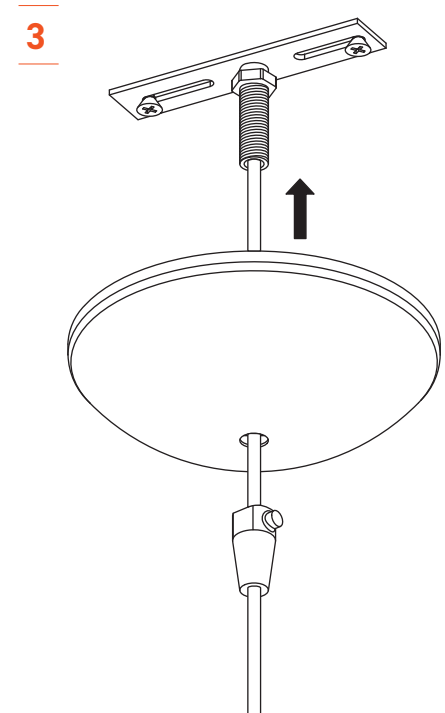
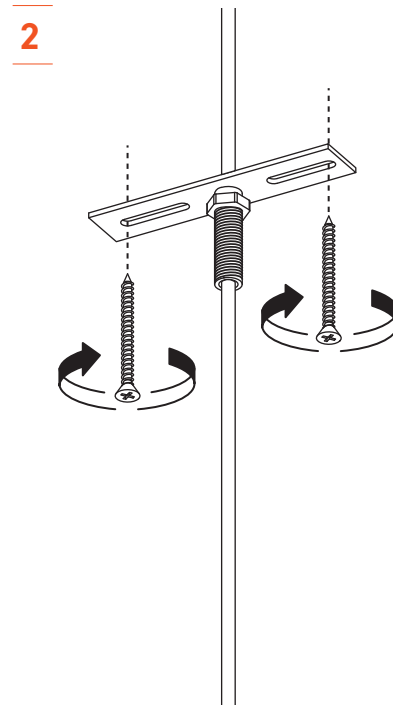
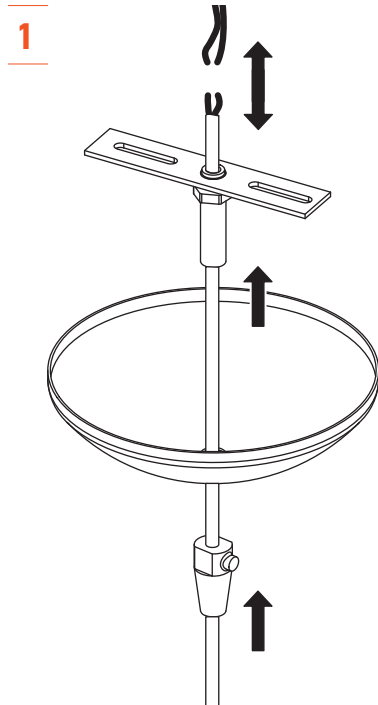
All products are manufactured to meet or exceed North American standards C22.2-250, UL 1598, C22.2-12, C22.2.9, UL 153.

All preparation for installation of fixture is to be provided by the end user.

The description and measurements on this drawing are for information purposes only.

VISO © 2018 All rights reserved.

MADE WITH ♥ IN TORONTO



Its Thyme