



VISO LIGHTING

BRIGGS

INSTALLATION MANUAL

LED 700mA 110V - 240V 3000K

BM – 1 x 9W LED (Integral)

SM – 1 x 16W LED (Integral)

MM – 1 x 18W LED (Integral)

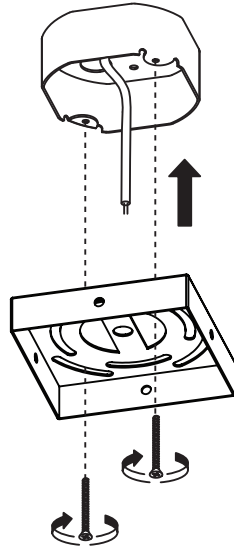
GM – 1 x 25W LED (Integral)



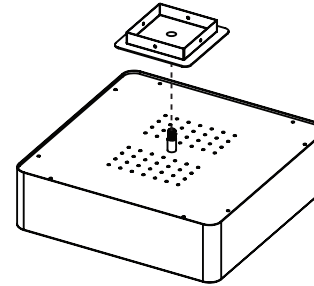
IMPORTANT

Always shut off power before cleaning and maintenance.

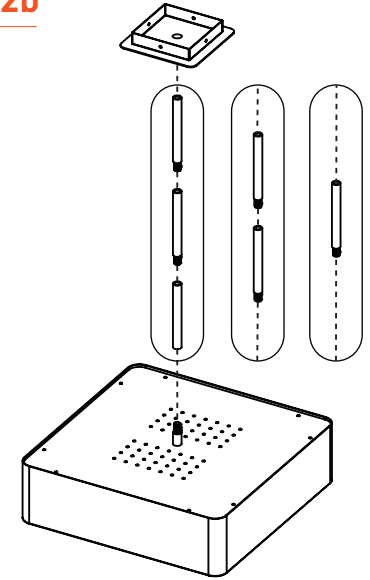
1



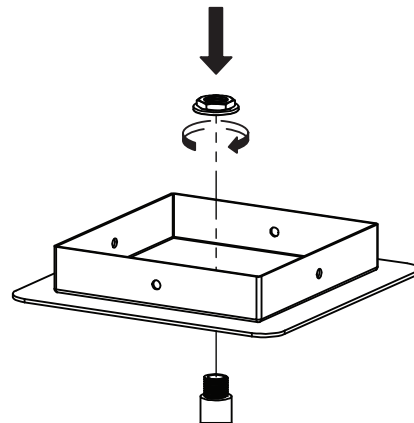
2a



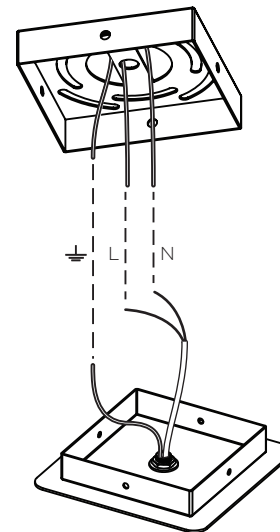
2b



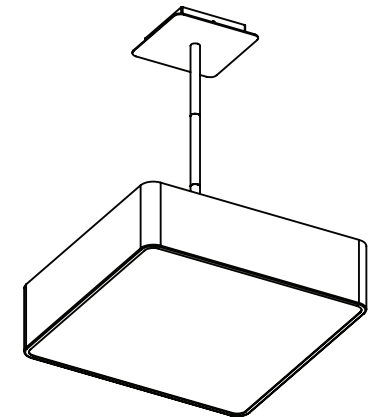
3



4



5



All products are manufactured to meet or exceed North American standards C22.2-250, UL 1598, C22.2-12, C22.2.9, UL 153.

All preparation for installation of fixture is to be provided by the end user.

The description and measurements on this drawing are for information purposes only.

VISO © 2018 All rights reserved.

MADE WITH ♥ IN TORONTO

Its Thyme



Its Thyme

VISO LIGHTING

BRIGGS

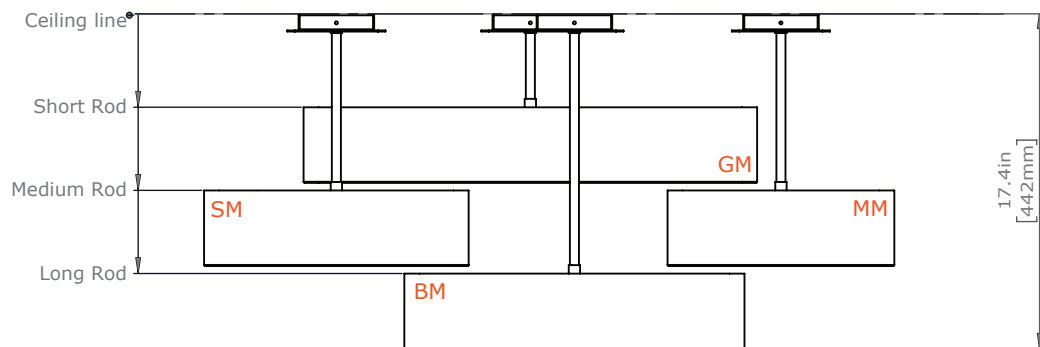
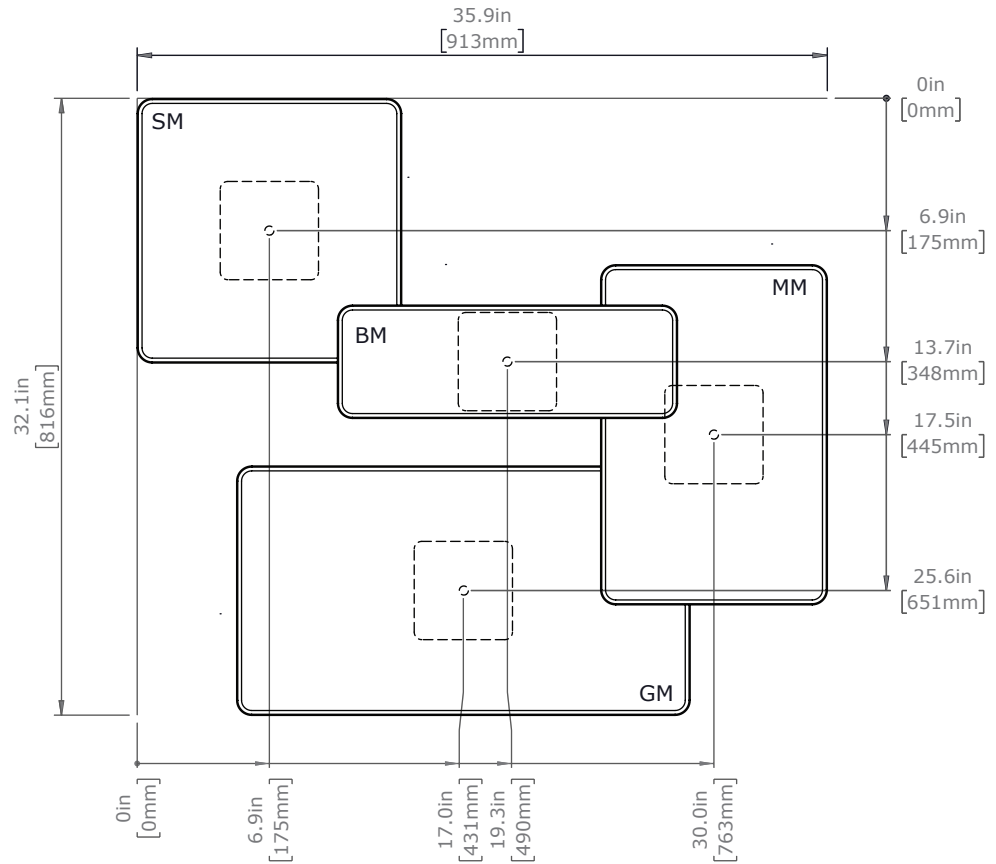
MOUNTING LAYOUT

4MM



IMPORTANT

Always shut off power before cleaning and maintenance.

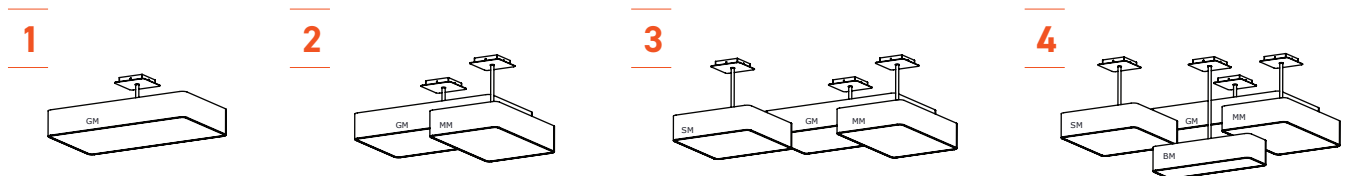


All products are manufactured to meet or exceed North American standards C22.2-250, UL 1598, C22.2-12, C22.2.9, UL 153.

All preparation for installation of fixture is to be provided by the end user.

The description and measurements on this drawing are for information purposes only.

VISO © 2018 All rights reserved.





VISO LIGHTING

Its Thyme

BRIGGS

MOUNTING LAYOUT

7MM



IMPORTANT

Always shut off power before cleaning and maintenance.



All products are manufactured to meet or exceed North American standards C22.2-250, UL 1598, C22.2-12, C22.2.9, UL 153.

All preparation for installation of fixture is to be provided by the end user.

The description and measurements on this drawing are for information purposes only.

VISO © 2018 All rights reserved.

