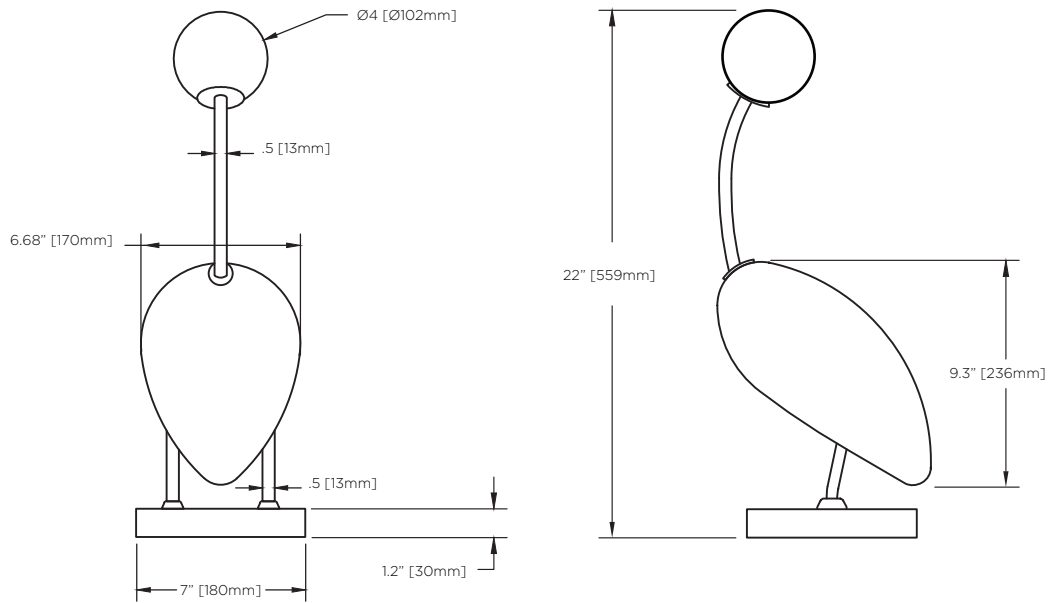

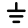


## PABLO SPECS



Model	<b>Pablo</b>
Size	559
Ref. #	NA.SM.02.722.____
Lamp	1x3W G9 LED 2700K
	
	

SM
Lbs 5
Kg 2.3

