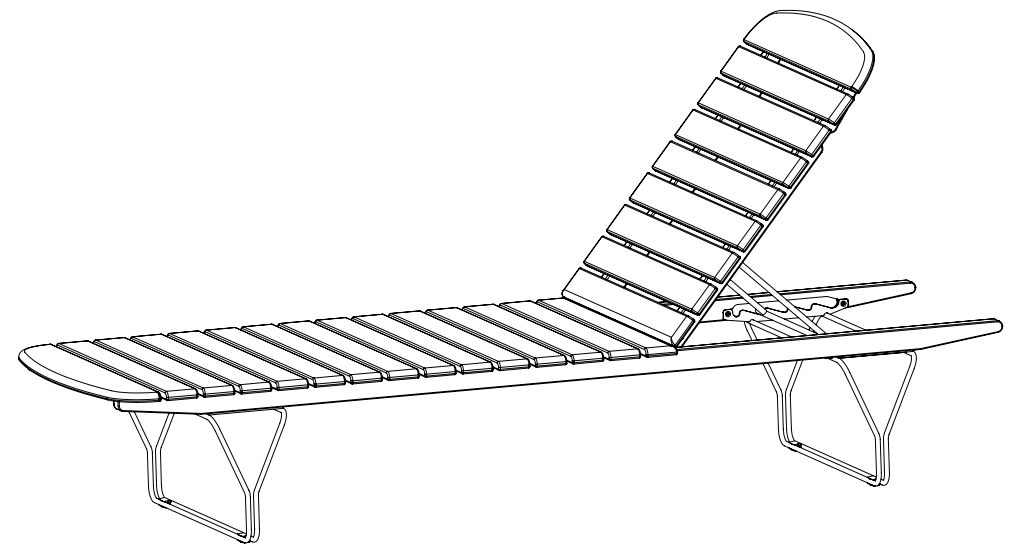

HOUE

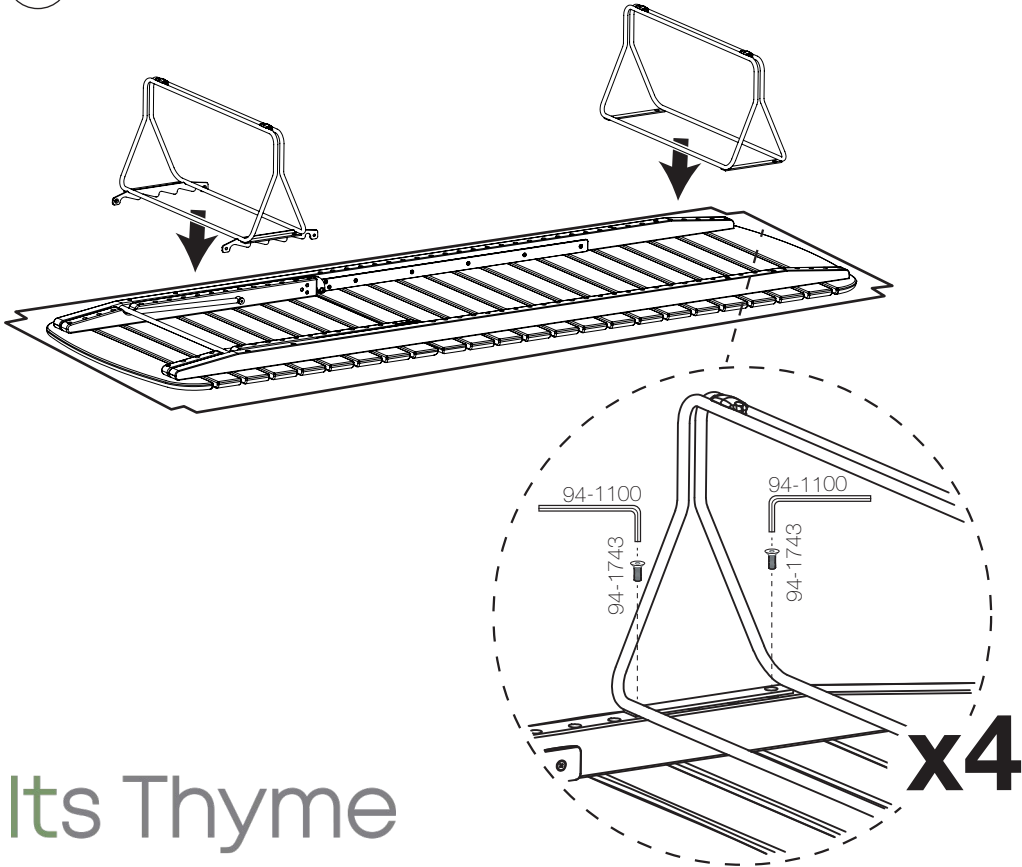
Its Thyme

MOLO SUNBED

DESIGN BY
HENRIK PEDERSEN

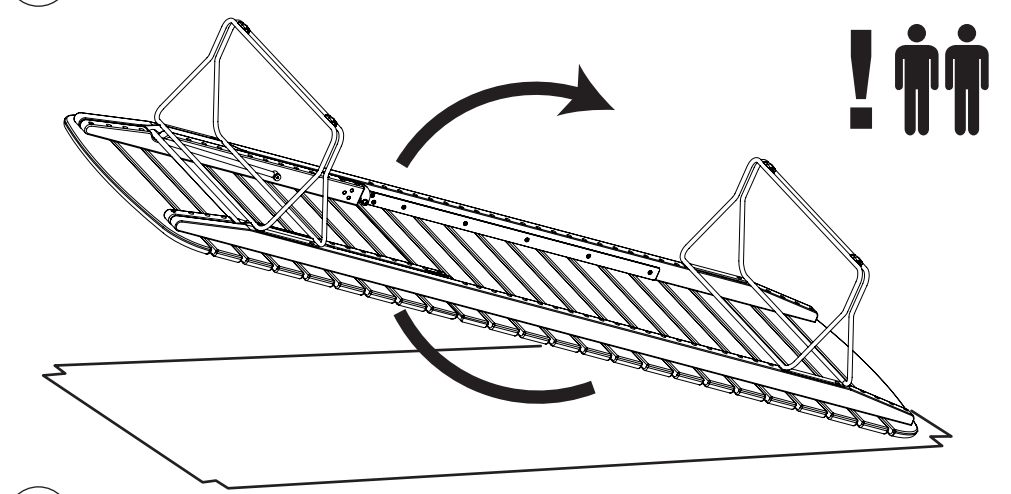


1



Its Thyme

2



3

