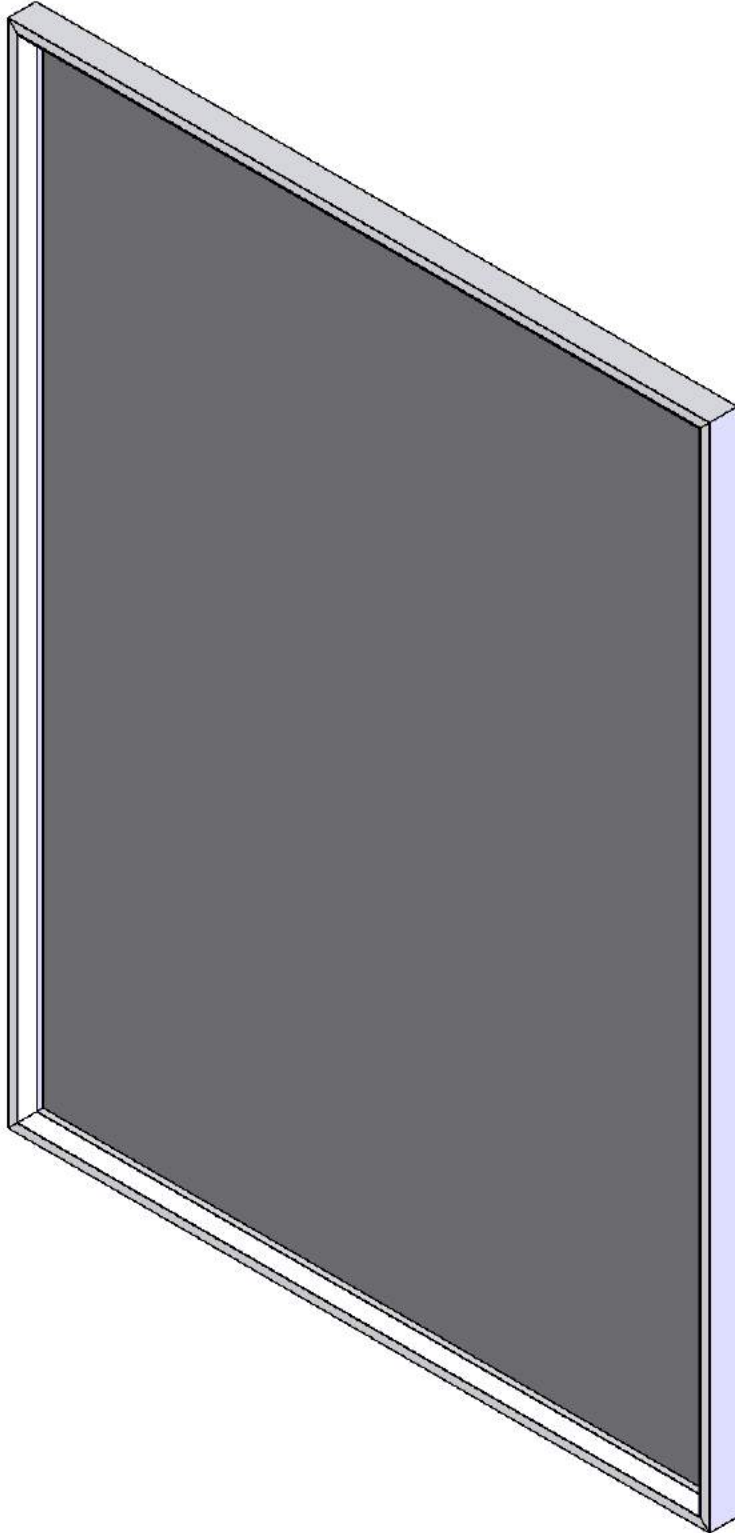


Its Thyme

**RADIANCE  
INSTALLATION INSTRUCTIONS**



# IMPORTANT SAFETY INSTRUCTIONS

Product must be installed by a qualified technician.  
Read these installation instructions. Keep these instructions for future use.  
Follow all instructions. Install in accordance with manufacturer's instructions.

FAILURE TO FOLLOW INSTRUCTIONS COULD RESULT IN DEATH OR SERIOUS INJURY.

FAILURE TO FOLLOW INSTRUCTIONS VOIDS WARRANTY.

This luminaire must be mounted or supported independently of an outlet box.  
Make sure electrical connections are wired correctly. Power and neutral wires must be connected to the luminaire disconnect. Insert the power wire into the black colored insert and the neutral wire into the white colored insert. Insert green ground wire into green connector. The ground must be connected. Do not defeat the safety purpose of the grounding wire inside the chassis. The chassis must be grounded to avoid possible electrical shock.

CAUTION  
READ ALL INSTRUCTIONS PRIOR TO INSTALLATION

WARNING:  
TO PREVENT INJURY, THE MIRROR MUST BE INSTALLED IN ACCORDANCE WITH THE MANUFACTURER'S INSTRUCTIONS

CAUTION: THE ONLY USER SERVICEABLE PARTS INSIDE ARE THE LAMPS.  
OTHER COMPONENTS MUST BE SERVICED BY QUALIFIED ELECTRICIANS. LUMINAIRE DISCONNECT MUST BE DISCONNECTED PRIOR TO COMPONENT SERVICING

## 1. LOCATE & INSTALL WALL CLEAT

MARK TOP EDGE OF MIRROR AND CENTERLINE OF MIRROR ON WALL. MOUNT HANGING CLEAT IN LOCATION SHOW IN IMAGE 1.

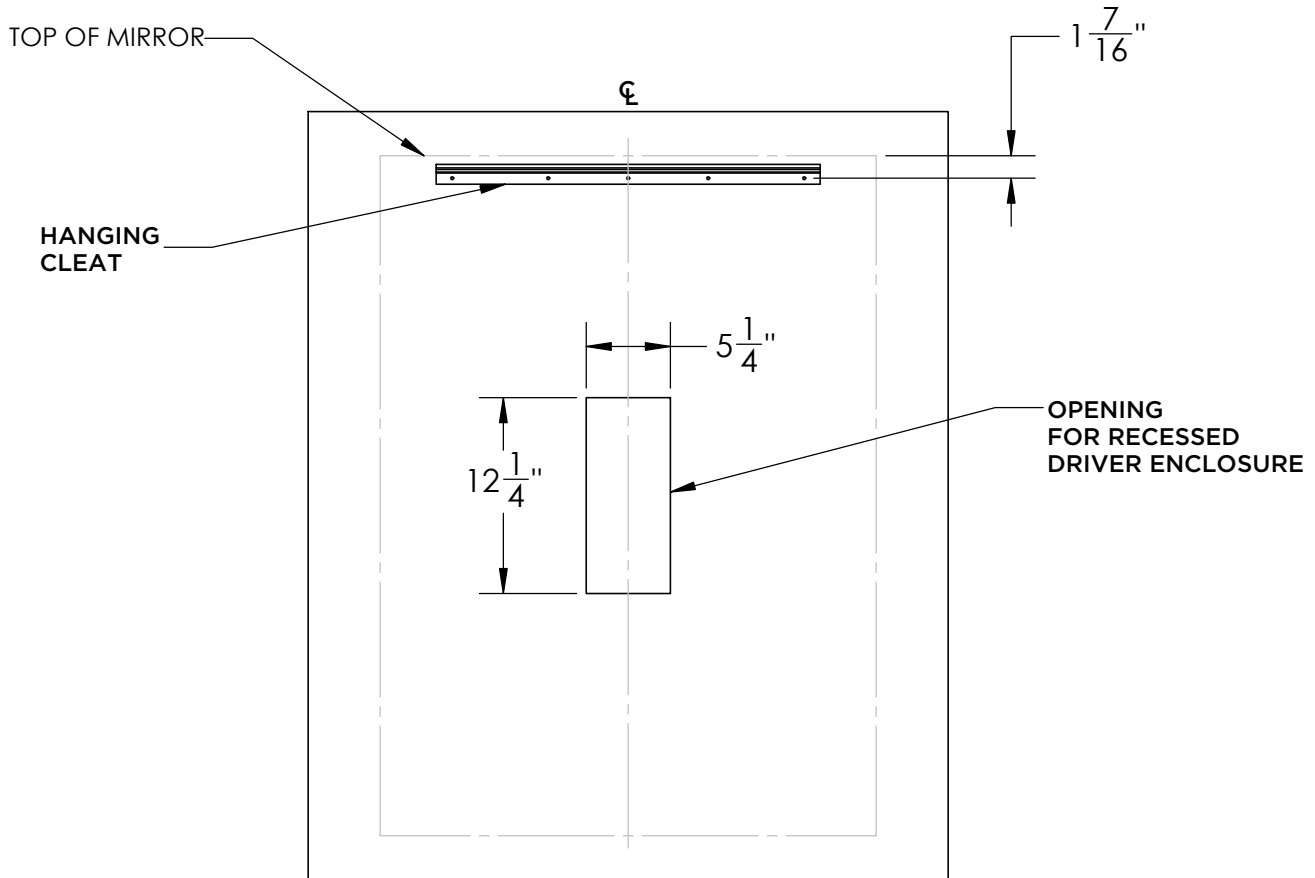


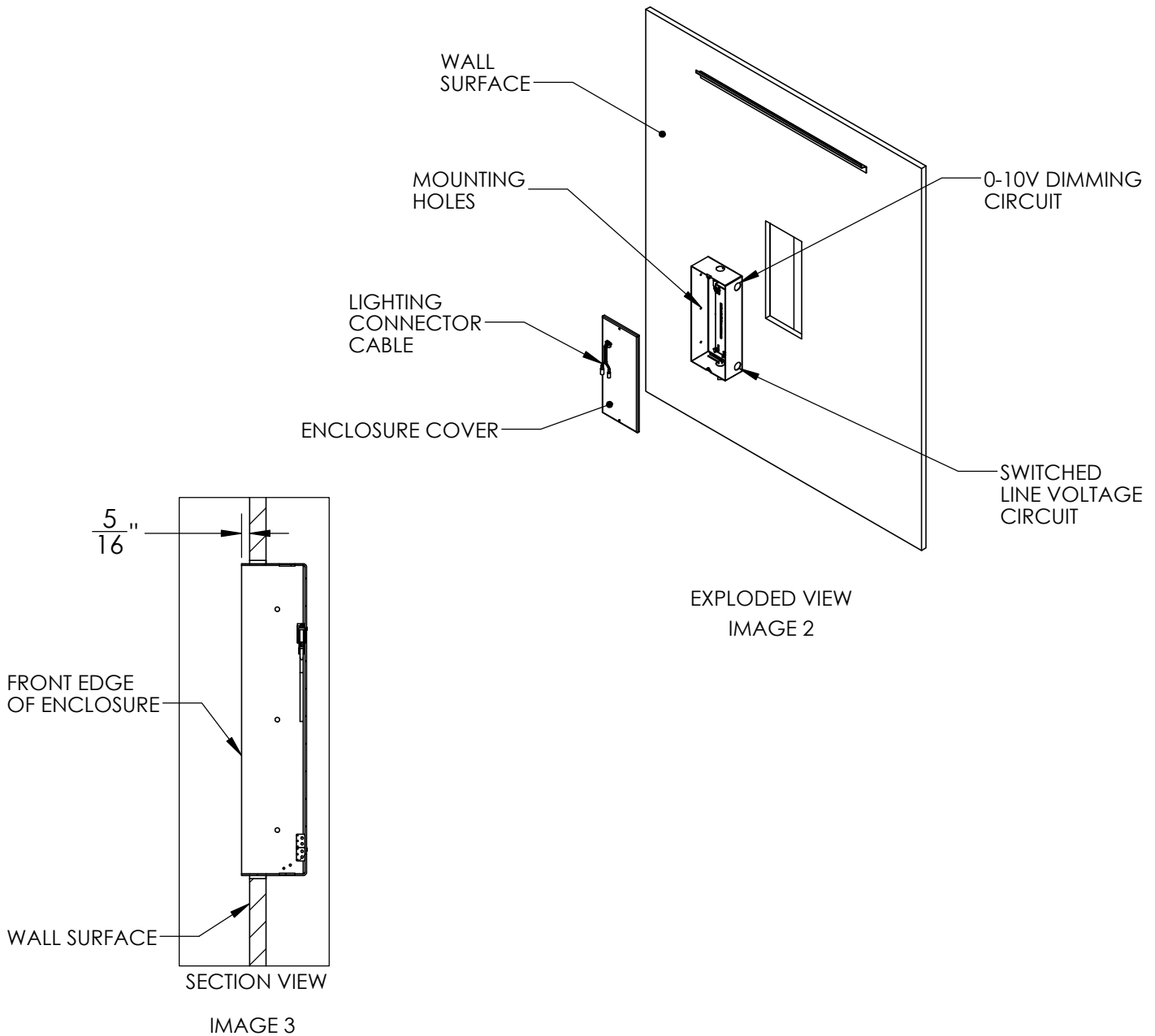
IMAGE 1

## 2. PREPARE WALL OPENING

DRIVER ENCLOSURE BOX MUST BE MOUNTED TO A WALL STUD. CUT OPENING IN WALL TO SIZE INDICATED IN IMAGE 1. THE LOCATION OF THE OPENING SHOULD BE CENTERED ON THE HEIGHT OF THE MIRROR AND LOCATED ADJACENT TO WALL STUD NEAREST TO THE CENTERLINE OF MIRROR. ENCLOSURE MAY BE MOUNTED TO STUD FROM EITHER SIDE OF BOX.

### 3. MAKE ELECTRICAL CONNECTION.

ENSURE POWER IS TURNED OFF AT CIRCUIT BREAKER BEFORE WIRING. BRING MC CABLE WITH HOT, NEUTRAL, AND GROUND WIRE INTO ENCLOSURE THROUGH LOWER KNOCKOUT. BRING 0-10 V DIMMING WIRES THROUGH UPPER KNOCKOUT. INSERT STRIPPED WIRES INTO CORRESPONDING DISCONNECTS INSIDE ENCLOSURE. MATCH INCOMING WIRE COLORS TO COLORED WIRES INSIDE ENCLOSURE.



### 4. MOUNT ENCLOSURE TO WALL STUD

AFTER ELECTRICAL CONNECTIONS HAVE BEEN MADE, INSERT BOX INTO WALL AND HOLD FLUSH AGAINST STUD. FRONT EDGE OF ENCLOSURE SHOULD PROTRUDE  $\frac{5}{16}$ " FROM SURFACE OF WALL. MOUNT ENCLOSURE TO STUD WITH 3X #8 X  $\frac{3}{4}$ " SCREWS PROVIDED.

### 5. INSTALL COVER ON ENCLOSURE

CONNECT LIGHTING CABLE CONNECTORS ON INSIDE OF COVER TO MATING CONNECTORS INSIDE ENCLOSURE. PLACE COVER OVER ENCLOSURE. SECURE WITH 2X #8-32 X  $\frac{1}{2}$ " SCREWS PROVIDED.

## 6. HANG MIRROR

BRING MIRROR CLOSE TO FINAL POSITION. CONNECT LIGHTING CONNECTOR CABLE FROM ENCLOSURE COVER TO MATING CABLE ON BACKSIDE OF MIRROR. LIFT MIRROR INTO POSITION. HANG ONTO WALL CLEAT. ENSURE WALL CLEAT IS SEATED IN EXTRUSION CHANNEL AS SHOWN IN IMAGE 5.

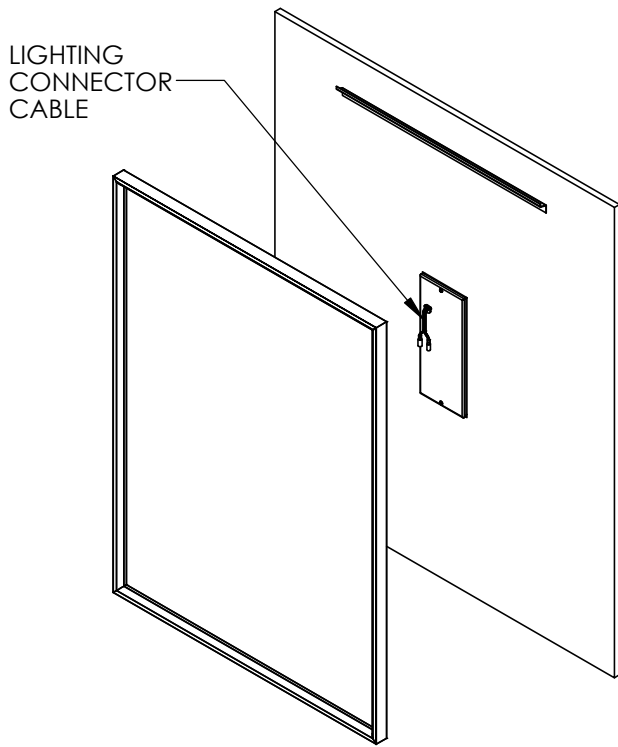
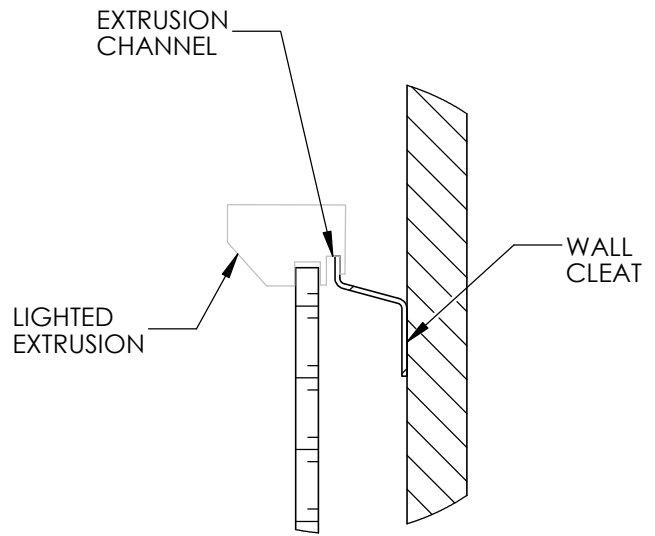


IMAGE 4



SECTION VIEW

IMAGE 5

## 7. TEST FUNCTIONALITY

TURN ON POWER AT CIRCUIT BREAKER. TURN ON LIGHT SWITCH. TEST DIMMING SWITCH. ENJOY YOUR NEW ELECTRIC MIRROR PRODUCT.