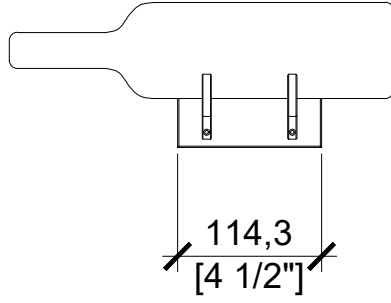
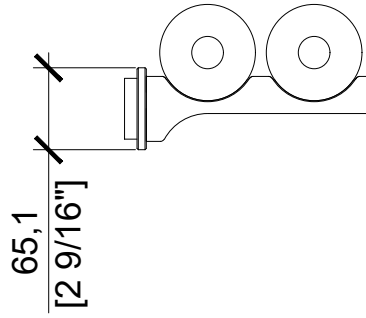


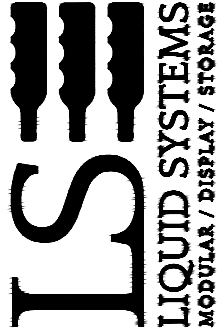
TOP



FRONT



SIDE

 <p>LS LIQUID SYSTEMS MODULAR / DISPLAY / STORAGE</p> <p><small>COPYRIGHT RESERVED: This drawing proposal and design are to remain the property of DAINTREE INDUSTRIES LTD.</small></p>	Project: LIQUID SYSTEMS MONO SERIES		Scale: 2" = 1'-0"
	Drawing: DOUBLE DEPTH - 2 BOTTLE DISPLAY		Date: 24.APR.2020
	Date	Issue/Revision	Drawing No: SD1.0