

AMARCORD wall lamp

Matteo Ugolini design

year 2016

DATA SHEET - AP121 1B V11

BASE "A"

material
colour

concrete
white



DIFFUSER "B"

material
colour

glass
transparent



ELECTRICAL SYSTEM

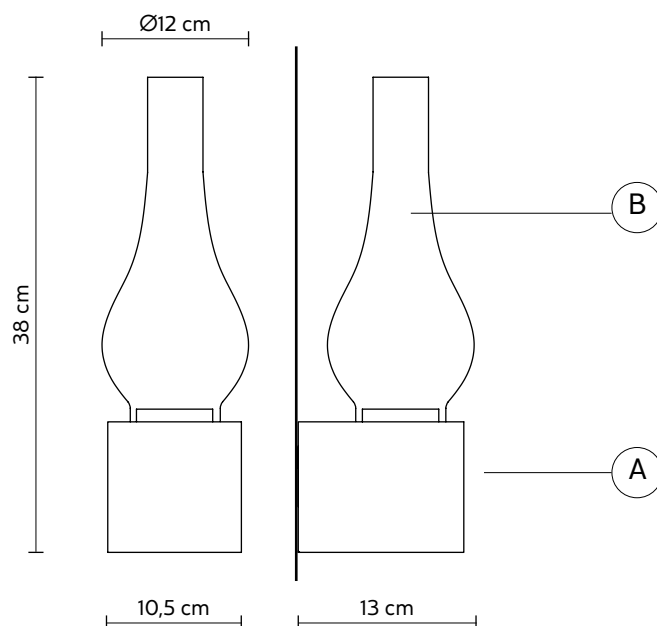
socket
source
energy class

E26
1 x max 18W LED
from E to A++

PACKAGING

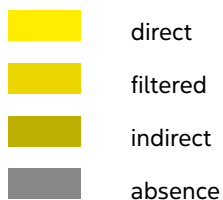
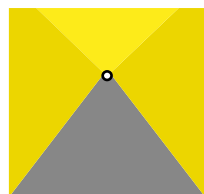
n° cartons
net weight/kg
gross weight/kg
packaging/cm

2
2,2 (A+B)
2,8 (A+B)
21x21x20 (A) - 24x24x39 (B)



LIGHT EMISSION

unidirectional



CERTIFICATION



bulb not provided

COLLECTION

also available table lamp version

