

AMARCORD wall lamp

Matteo Ugolini design

year 2018

DATA SHEET - AP121 BS V11

BASE "A"

material
colour

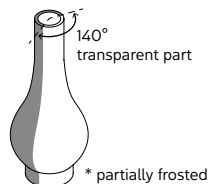
concrete
white



DIFFUSER "B"

material
colour

glass
frosted
transparent*



* partially frosted

ELECTRICAL SYSTEM

socket
source
energy class

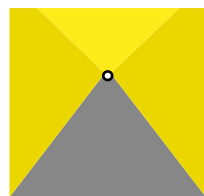
E26
1 x max 18W LED
from E to A++

PACKAGING

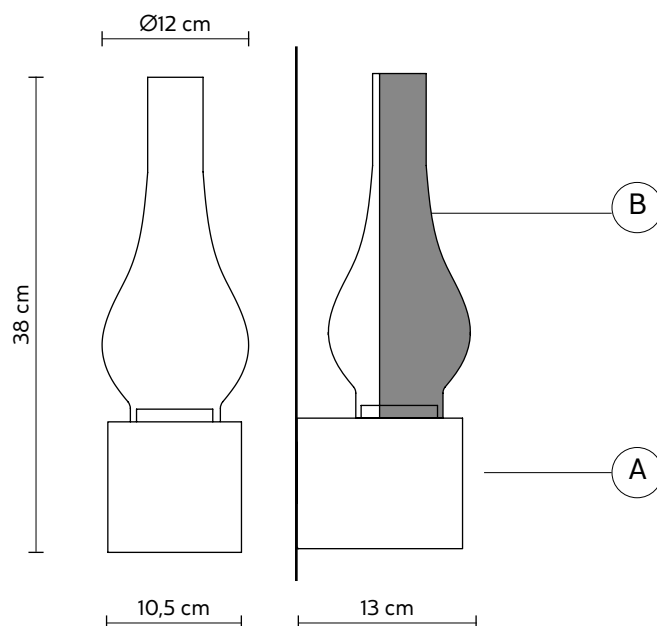
n° cartons 2
net weight/kg 2,2 (A+B)
gross weight/kg 2,8 (A+B)
packaging/cm 21x21x20 (A) - 24x24x39 (B)

LIGHT EMISSION

unidirectional



direct
filtered
indirect
absence



CERTIFICATION



bulb not provided

COLLECTION

also available table lamp version



AP121 1B V11



AP121 BF V11



AP121 GT V11



AP121 1G V11



AP121 GS V11