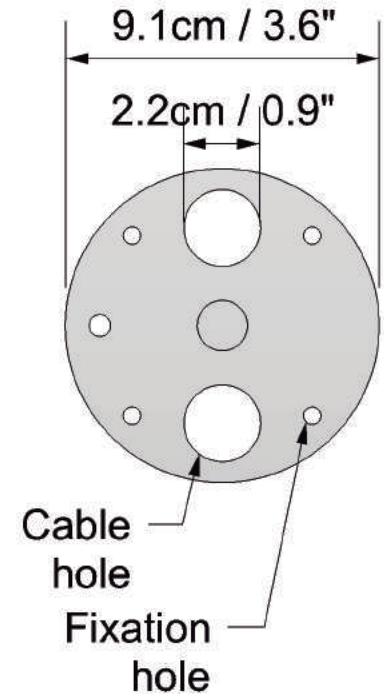
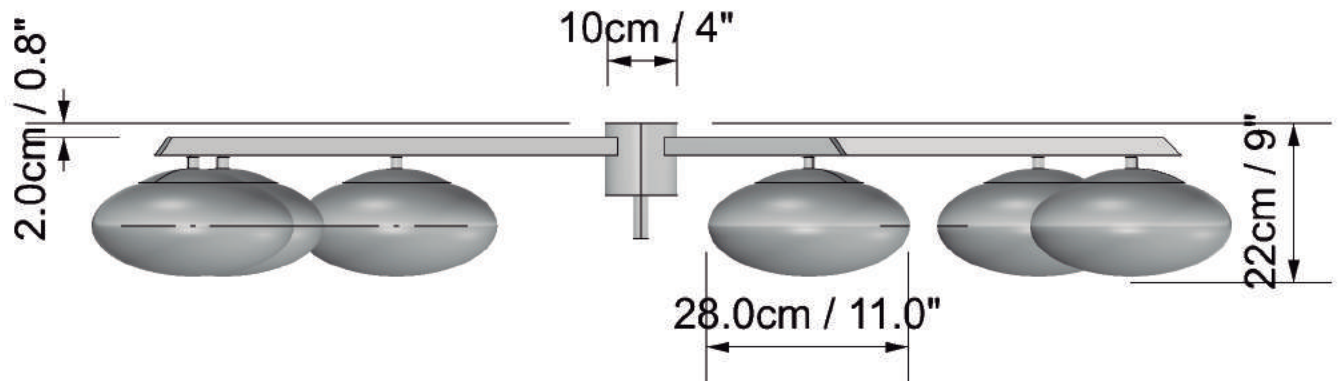
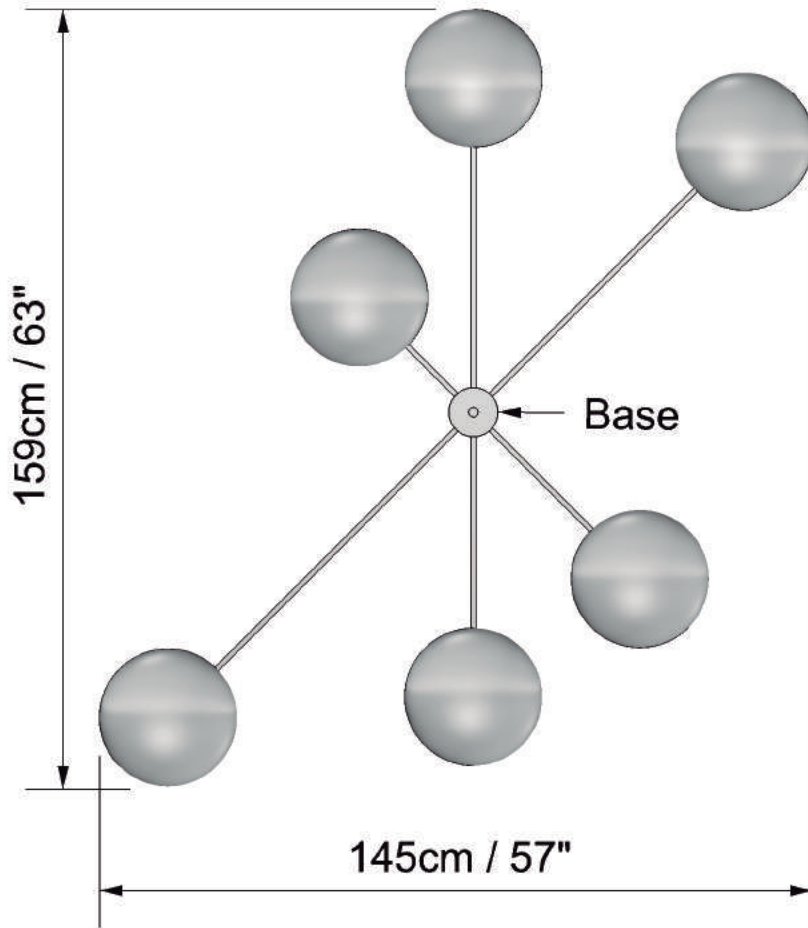


Central Base with
4 x 5mm / 3/16"
fixation holes and
2 x 22mm / 0.9"
holes
for electric cables



Sockets E26 or E27
Voltage 110V or 220V
Bulb 40W (100W max.)



Its Thyme